

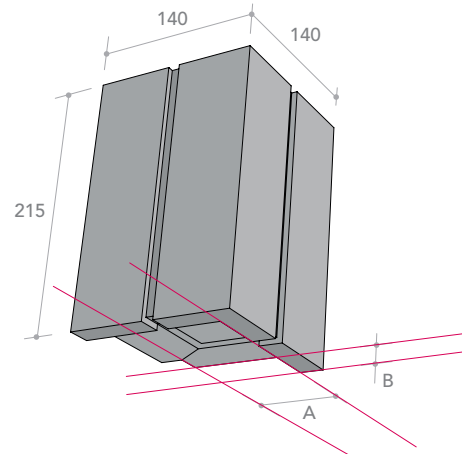
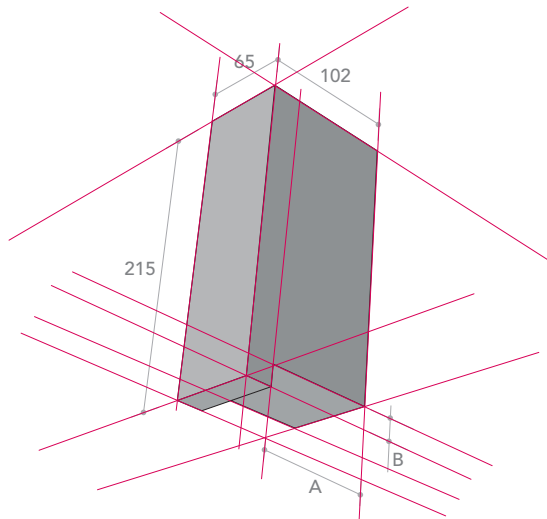
Product Overview

IG Masonry Support offers a professional brick-cutting and bonding service providing an extensive range of standard and non-standard brick specials from our state-of-the-art Brick Cutting Facility in Overseal, South Derbyshire. These services are offered as a stand-alone service for bricks to be utilised onsite or on our brick slip systems.

IG Masonry Support offers a range of rebated shelf angle bricks with a wide choice of internal and external angles and returns.



Shelf Angle Brick Variations



IG.SA.1 Rebated Soldier / PS.1 Pistol Soldier

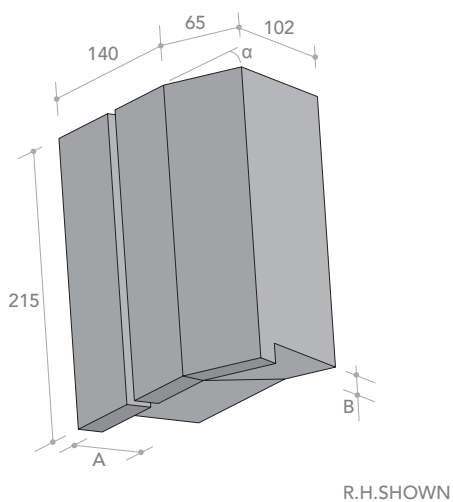
Type No.	A	B
IG.SA.1.1	82	15
IG.SA.1.2	82	25
IG.SA.1.3	82	35
IG.SA.1.4	77	15
IG.SA.1.5	77	25
IG.SA.1.6	77	35
IG.SA.1.7	72	15
IG.SA.1.8	72	25
IG.SA.1.9	72	35
PS.1.1	77	75
PS.1.2	77	150
PS.1.3	77	30

Sample Order No. IG.SA.1.1

IG.SA.2 Rebated Soldier External Return

Type No.	A	B
IG.SA.2.1 *	82	15
IG.SA.2.2 *	82	25
IG.SA.2.3 *	82	35
IG.SA.2.4 *	77	15
IG.SA.2.5 *	77	25
IG.SA.2.6 *	77	35
IG.SA.2.7 *	72	15
IG.SA.2.8 *	72	25
IG.SA.2.9 *	72	35

Sample Order No. IG.SA.2.1

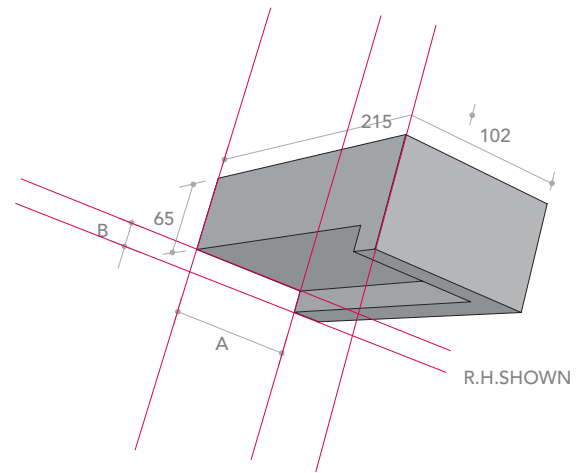
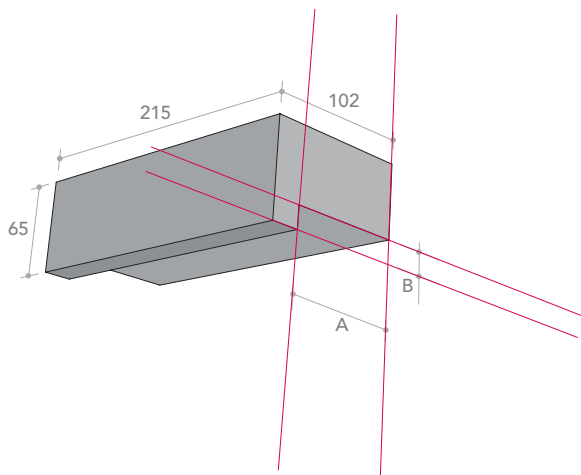


IG.SA.3 Rebated Soldier External Angle (Left & Right Hand)

Type No.	A	B	α
IG.SA.3.1*	82	15	30°
IG.SA.3.2*	82	25	30°
IG.SA.3.3*	82	35	30°
IG.SA.3.4*	77	15	30°
IG.SA.3.5*	77	25	30°
IG.SA.3.6*	77	35	30°
IG.SA.3.7*	72	15	30°
IG.SA.3.8*	72	25	30°
IG.SA.3.9*	72	35	30°
IG.SA.3.10*	82	15	45°
IG.SA.3.11*	82	25	45°
IG.SA.3.12*	82	35	45°
IG.SA.3.13*	77	15	45°
IG.SA.3.14*	77	25	45°
IG.SA.3.15*	77	35	45°
IG.SA.3.16*	72	15	45°
IG.SA.3.17*	72	25	45°
IG.SA.3.18*	72	35	45°
IG.SA.3.19*	82	15	60°
IG.SA.3.20*	82	25	60°
IG.SA.3.21*	82	35	60°
IG.SA.3.22*	77	15	60°
IG.SA.3.23*	77	25	60°
IG.SA.3.24*	77	35	60°
IG.SA.3.25*	72	15	60°
IG.SA.3.26*	72	25	60°
IG.SA.3.27*	72	35	60°

Sample Order No. IG.SA.3.1LH

* Requires mitring or refacing



IG.SA.4 Rebated Stretcher / PS.2 Pistol Stretcher

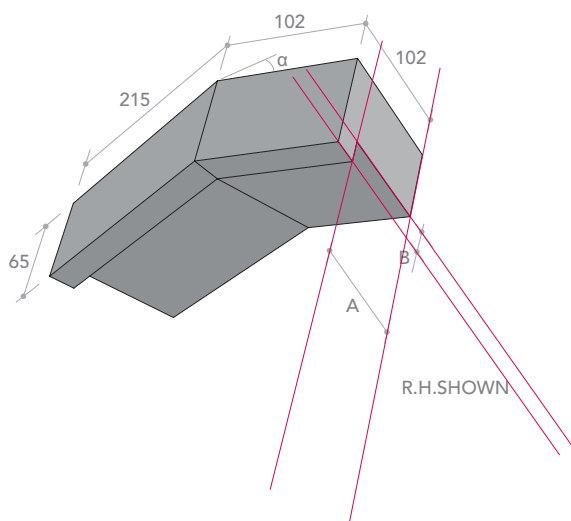
Type No.	A	B
IG.SA.4.1	82	15
IG.SA.4.2	82	25
IG.SA.4.3	82	35
IG.SA.4.4	77	15
IG.SA.4.5	77	25
IG.SA.4.6	77	35
IG.SA.4.7	72	15
IG.SA.4.8	72	25
IG.SA.4.9	72	35
PS.2.1	82	30

Sample Order No. IG.SA.4.1

IG.SA.5 Rebated Stretcher External Return (Left & Right Hand)

Type No.	A	B
IG.SA.5.1	82	15
IG.SA.5.2	82	25
IG.SA.5.3	82	35
IG.SA.5.4	77	15
IG.SA.5.5	77	25
IG.SA.5.6	77	35
IG.SA.5.7	72	15
IG.SA.5.8	72	25
IG.SA.5.9	72	35

Sample Order No. IG.SA.5.1LH

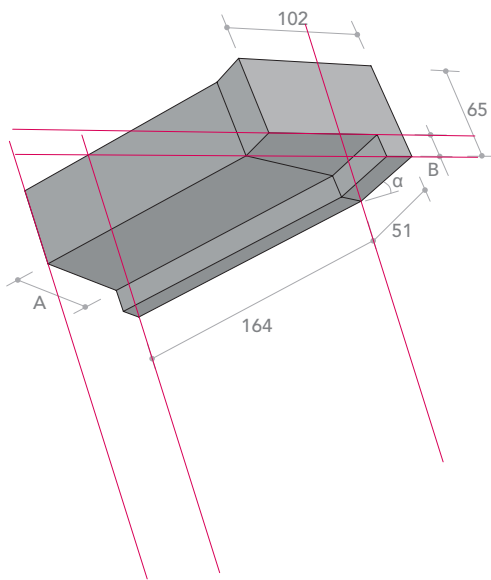


IG.SA.6 Rebated Stretcher External Angle (Left & Right Hand)

Type No.	A	B	α
IG.SA.6.1*	82	15	30°
IG.SA.6.2*	82	25	30°
IG.SA.6.3*	82	35	30°
IG.SA.6.4*	77	15	30°
IG.SA.6.5*	77	25	30°
IG.SA.6.6*	77	35	30°
IG.SA.6.7*	72	15	30°
IG.SA.6.8*	72	25	30°
IG.SA.6.9*	72	35	30°
IG.SA.6.10*	82	15	45°
IG.SA.6.11*	82	25	45°
IG.SA.6.12*	82	35	45°
IG.SA.6.13*	77	15	45°
IG.SA.6.14*	77	25	45°
IG.SA.6.15*	77	35	45°
IG.SA.6.16*	72	15	45°
IG.SA.6.17*	72	25	45°
IG.SA.6.18*	72	35	45°
IG.SA.6.19*	82	15	60°
IG.SA.6.20*	82	25	60°
IG.SA.6.21*	82	35	60°
IG.SA.6.22*	77	15	60°
IG.SA.6.23*	77	25	60°
IG.SA.6.24*	77	35	60°
IG.SA.6.25*	72	15	60°
IG.SA.6.26*	72	25	60°
IG.SA.6.27*	72	35	60°

Sample Order No. IG.SA.6.1RH

* Requires mitring or refacing



IG.SA.7 Rebated Stretcher Squint External Angle (Left & Right Hand)*

Type No.	A	B	α
IG.SA.7.1*	82	15	30°
IG.SA.7.2*	82	25	30°
IG.SA.7.3*	82	35	30°
IG.SA.7.4*	77	15	30°
IG.SA.7.5*	77	25	30°
IG.SA.7.6*	77	35	30°
IG.SA.7.7*	72	15	30°
IG.SA.7.8*	72	25	30°
IG.SA.7.9*	72	35	30°
IG.SA.7.10*	82	15	45°
IG.SA.7.11*	82	25	45°
IG.SA.7.12*	82	35	45°
IG.SA.7.13*	77	15	45°
IG.SA.7.14*	77	25	45°
IG.SA.7.15*	77	35	45°
IG.SA.7.16*	72	15	45°
IG.SA.7.17*	72	25	45°
IG.SA.7.18*	72	35	45°
IG.SA.7.19*	82	15	60°
IG.SA.7.20*	82	25	60°
IG.SA.7.21*	82	35	60°
IG.SA.7.22*	77	15	60°
IG.SA.7.23*	77	25	60°
IG.SA.7.24*	77	35	60°
IG.SA.7.25*	72	15	60°
IG.SA.7.26*	72	25	60°
IG.SA.7.27*	72	35	60°

Sample Order No. IG.SA.7.1LH

* Requires mitring or refacing



Brick Cutting Sales and Enquiries

For more information
please contact our Brick Specialists:

+44 (0)1283 200 157

**IG Masonry Support
Swadlincote**

Ryder Close
Cadley Hill Industrial Estate
Swadlincote
South Derbyshire
DE11 9EU

T +44 (0)1283 200 157
E support@igmss.co.uk

**IG Masonry Support
Overseal**

Swains Court
Park Road
Overseal
South Derbyshire
DE12 6JS

T +44 (0)1283 559 078
E support@igmss.co.uk

**IG Masonry Support
Cookstown**

Ballyreagh Industrial Estate
Cookstown
Co. Tyrone
Northern Ireland
BT80 9DG

T +44 (0)28 8676 0334
E info@igmss.co.uk