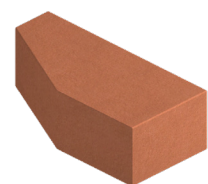
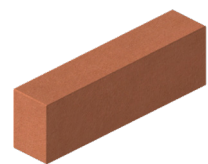


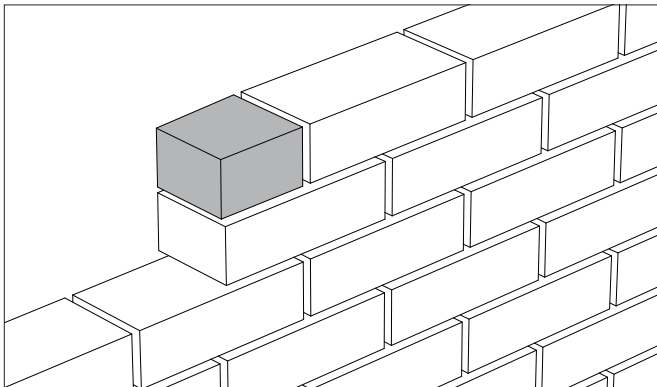
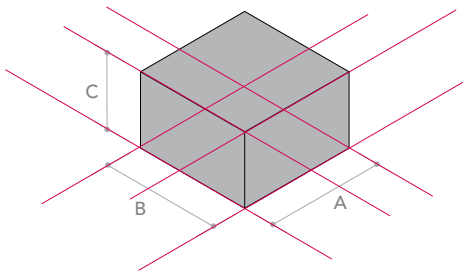
## Product Overview

IG Masonry Support offers a professional brick-cutting and bonding service providing an extensive range of standard and non-standard brick specials from our state-of-the-art Brick Cutting Facility in Overseal, South Derbyshire. These services are offered as a stand-alone service for bricks to be utilised onsite or on our brick slip systems.

Bonding bricks are special-shaped bricks that are typically used to create brick bond patterns in a solid wall when there is a requirement for non-full-size pieces of brick.



## Bonding Brick Variations



### BD.1.1 Half Bat (Snap Header)

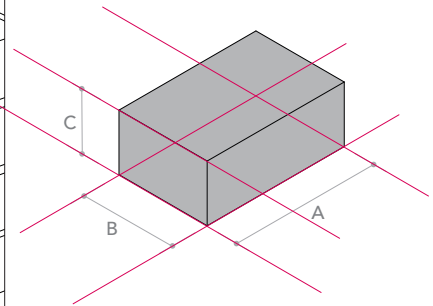
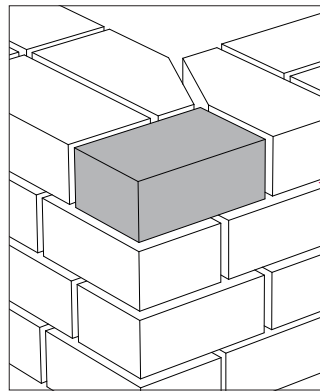
Type No.	A	B	C
BD.1.1	102	102	65

Sample Order No. BD.1.1

### BD.1.2 Three-quarter Bat

Type No.	A	B	C
BD.1.2	159	102	65

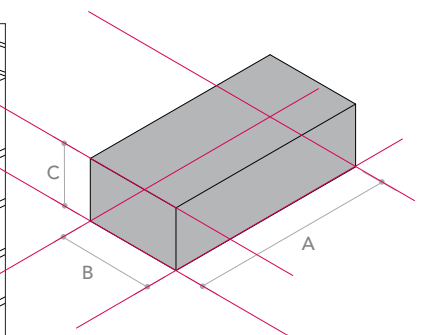
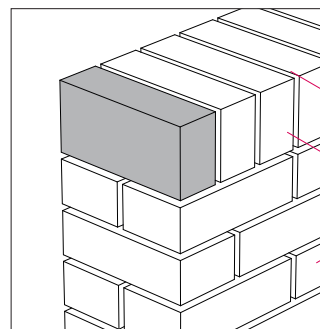
Sample Order No. BD.1.2



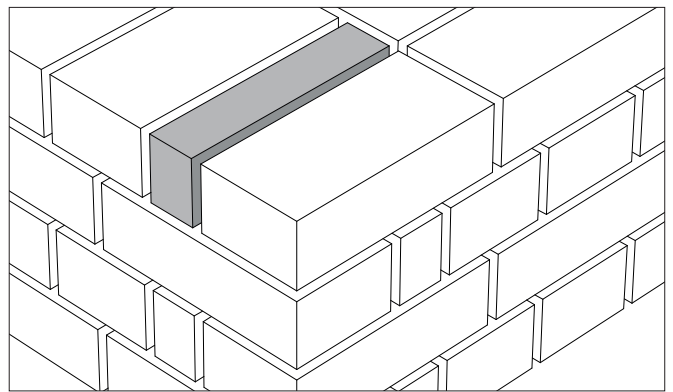
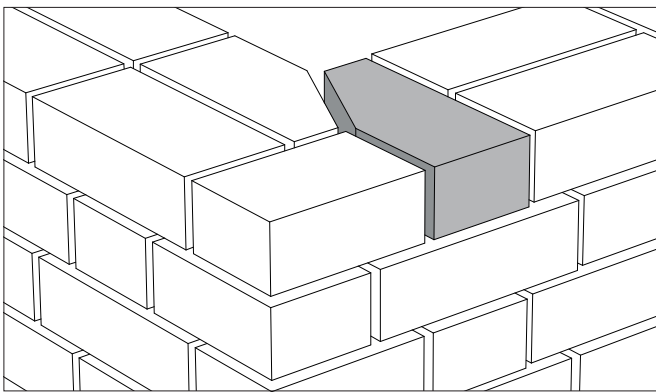
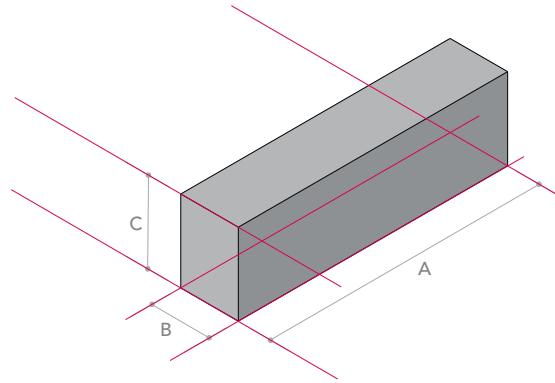
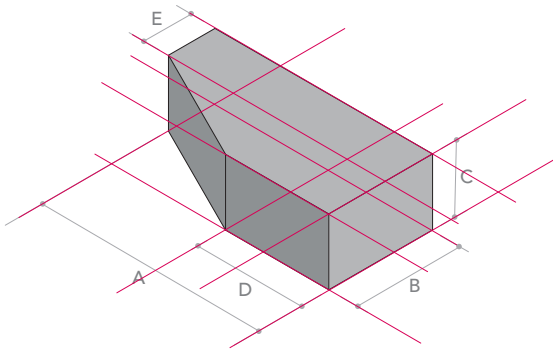
### BD.1.3 Standard Brick fair-faced On Bed Surface

Type No.	A	B	C
BD.1.3 *	215	102	65

Sample Order No. BD.1.3



\* Requires mitring or refacing



**BD.2 King Closure**

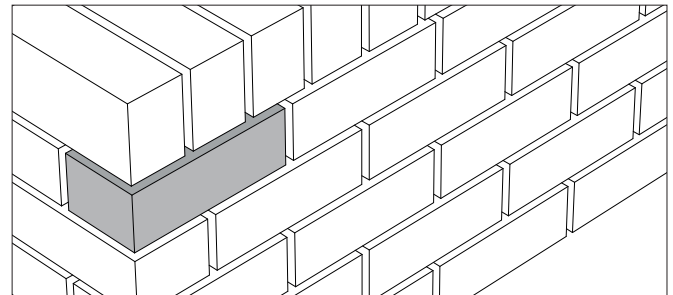
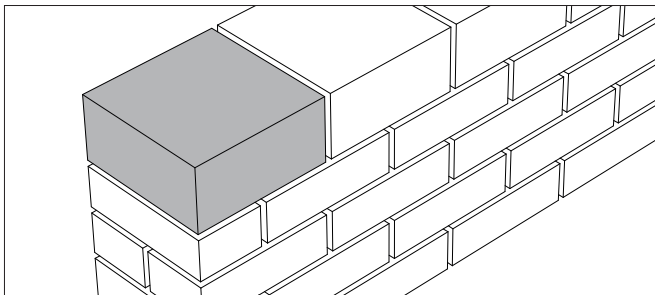
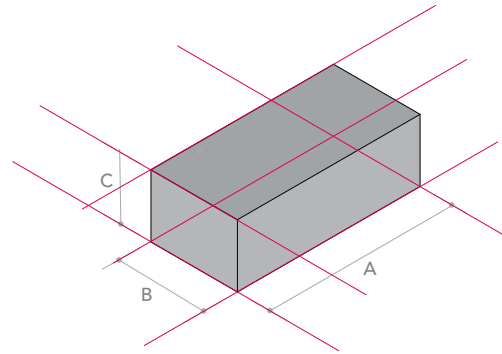
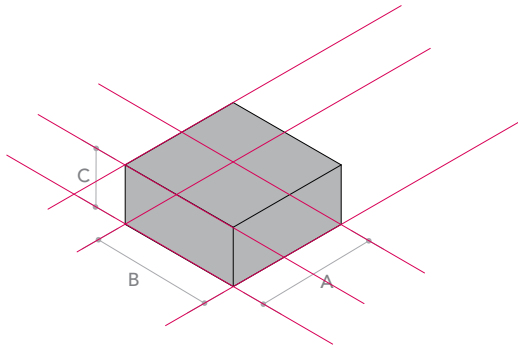
Type No.	A	B	C	D	E
BD.2	215	102	65	102	46

Sample Order No. BD.2

**BD.3 Queen Closure**

Type No.	A	B	C
BD.3	215	46	65

Sample Order No. BD.3



## BD.4 215mm Square Stop End

Type No.	A	B	C
BD.4.1 *	215	159	102
BD.4.2 *	215	159	65
BD.4.1 *	215	215	102
BD.4.2 *	215	215	65

Sample Order No. BD.4.1

\* Requires mitring or refacing

## CB.1 Cuboid Bricks

Type No.	A	B	C
CB.1.1	190	90	65
CB.1.2 *	190	90	90
CB.1.3	215	102	50
CB.1.4	215	102	53
CB.1.5	215	102	65
CB.1.6 *	215	102	73
CB.1.7 *	215	102	80
CB.1.8 *	233	112	73
CB.1.9 *	233	112	80
CB.1.10 *	290	90	65
CB.1.11 *	290	90	90

Sample Order No. CB.1.1

\* Requires mitring or refacing



## Brick Cutting Sales and Enquiries

For more information  
please contact our Brick Specialists:

**+44 (0)1283 200 157**

### IG Masonry Support Swadlincote

Ryder Close  
Cadley Hill Industrial Estate  
Swadlincote  
South Derbyshire  
DE11 9EU

T +44 (0)1283 200 157  
E [support@igmss.co.uk](mailto:support@igmss.co.uk)

### IG Masonry Support Overseal

Swains Court  
Park Road  
Overseal  
South Derbyshire  
DE12 6JS

T +44 (0)1283 559 078  
E [support@igmss.co.uk](mailto:support@igmss.co.uk)

### IG Masonry Support Cookstown

Ballyreagh Industrial Estate  
Cookstown  
Co. Tyrone  
Northern Ireland  
BT80 9DG

T +44 (0)28 8676 0334  
E [info@igmss.co.uk](mailto:info@igmss.co.uk)