

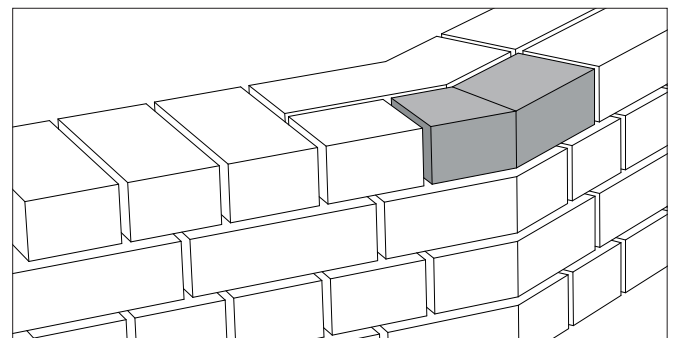
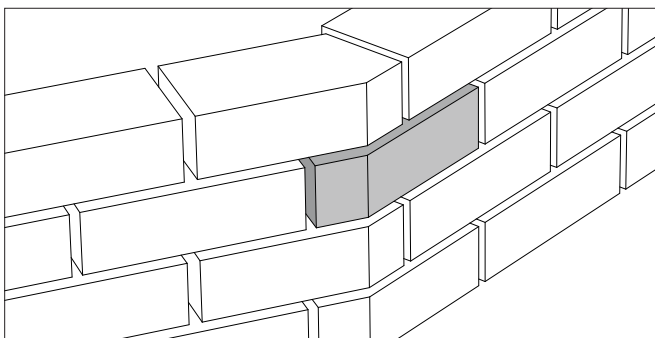
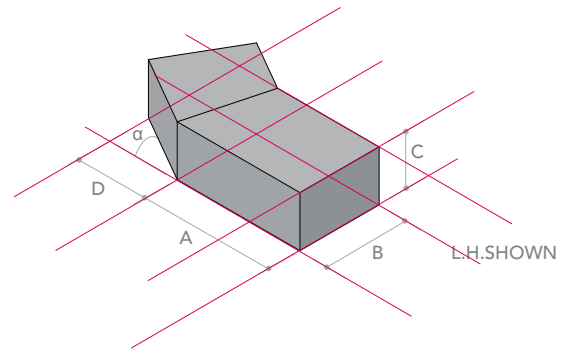
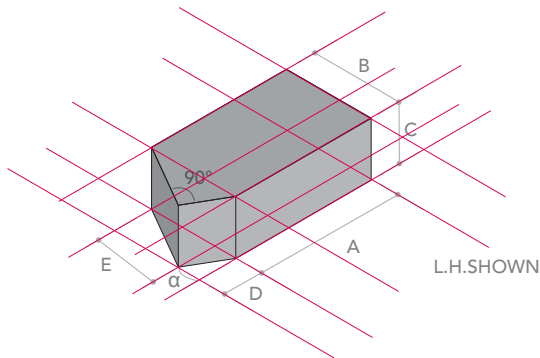
Product Overview

IG Masonry Support offers a professional brick-cutting and bonding service providing an extensive range of standard and non-standard brick specials from our state-of-the-art Brick Cutting Facility in Overseal, South Derbyshire. These services are offered as a stand-alone service for bricks to be utilised onsite or on our brick slip systems.

Angle bricks are used to turn brickwork through an angle other than 90°. Cant bricks allow chamfered vertical and horizontal detailing to be achieved.



Angle & Cant Brick Variations



AN.1 Squint Brick (Left & Right Hand)

Type No.	A	B	C	D	E	α
AN.1.1 *	164	102	65	51	89	30°
AN.1.2 *	164	102	65	51	94	45°
AN.1.3 *	164	102	65	51	117	60°

Sample Order No. AN.1.1RH

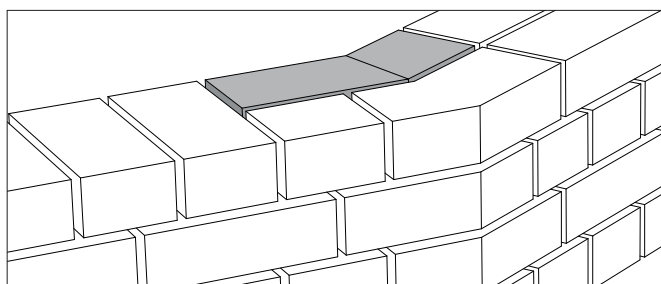
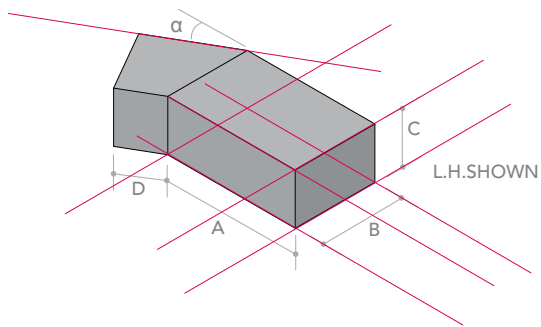
* Requires mitring or refacing

AN.2 External Angle (Left & Right Hand)

Type No.	A	B	C	D	α
AN.2.1 *	159	102	65	102	30°
AN.2.2 *	159	102	65	102	45°
AN.2.3 *	159	102	65	102	60°
AN.2.4 *	215	102	65	102	30°
AN.2.5 *	215	102	65	102	45°
AN.2.6 *	215	102	65	102	60°

Sample Order No. AN.2.1LH

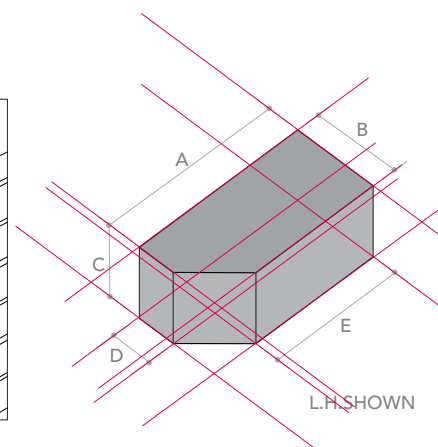
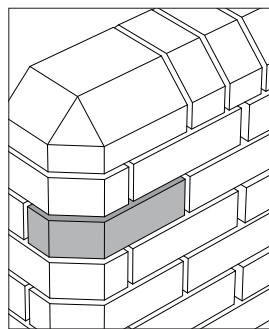
* Requires mitring or refacing



AN.5 Single Cant (Left & Right Hand)

Type No.	A	B	C	D	E
AN.5.1 *	215	102	65	46	159
AN.5.2 *	215	102	65	60	173

Sample Order No. AN.5.1LH



AN.3 Internal Angle (Dog Leg) (Left & Right Hand)

Type No.	A	B	C	D	α
AN.3.1 *	164	102	65	51	30°
AN.3.2 *	164	102	65	51	45°
AN.3.3 *	164	102	65	51	60°
AN.3.4 *	159	102	65	102	30°
AN.3.5 *	159	102	65	102	45°
AN.3.6 *	159	102	65	102	60°
AN.3.7 *	215	102	65	102	30°
AN.3.8 *	215	102	65	102	45°
AN.3.9 *	215	102	65	102	60°

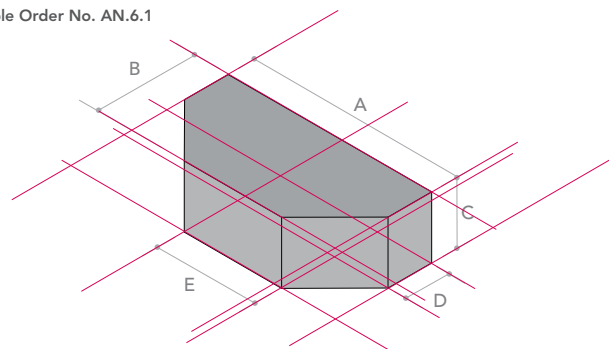
Sample Order No. AN.3.1RH

* Requires mitring or refacing

AN.6 Double Cant

Type No.	A	B	C	D	E
AN.6.1 *	215	102	65	46	103
AN.6.2 *	215	102	65	60	131

Sample Order No. AN.6.1



* Requires mitring or refacing

Brick Cutting Sales and Enquiries

For more information
please contact our Brick Specialists:

+44 (0)1283 200 157

IG Masonry Support Swadlincote

Ryder Close
Cadley Hill Industrial Estate
Swadlincote
South Derbyshire
DE11 9EU

T +44 (0)1283 200 157
E support@igmss.co.uk

IG Masonry Support Overseal

Swains Court
Park Road
Overseal
South Derbyshire
DE12 6JS

T +44 (0)1283 559 078
E support@igmss.co.uk

IG Masonry Support Cookstown

Ballyreagh Industrial Estate
Cookstown
Co. Tyrone
Northern Ireland
BT80 9DG

T +44 (0)28 8676 0334
E info@igmss.co.uk